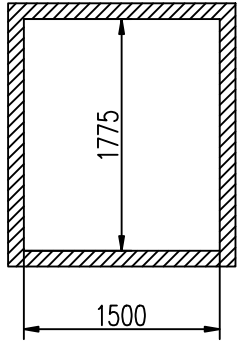
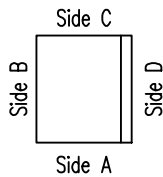
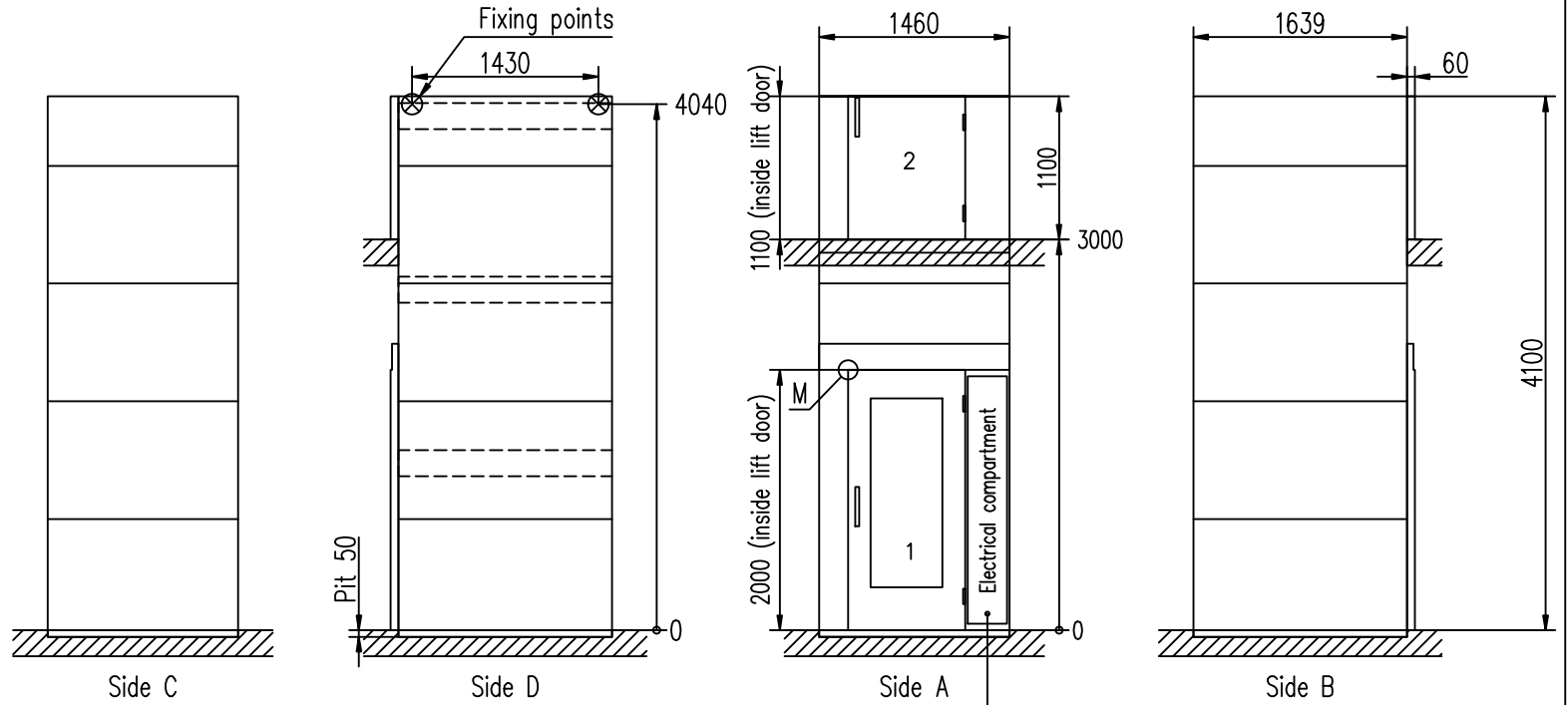
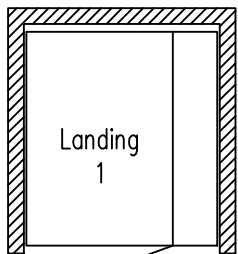
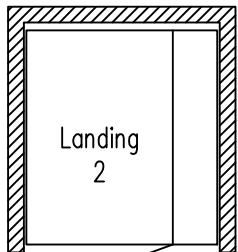


Shaft plan view



M= An additional 50 mm for clear structural opening is required.



Access required for compartment cover



Drawn Shaftwall A 5000

Constr.

Scale	File name
1:38	108891-W
Dwg-nr	Date
	14-09-11
	Sheet
	1